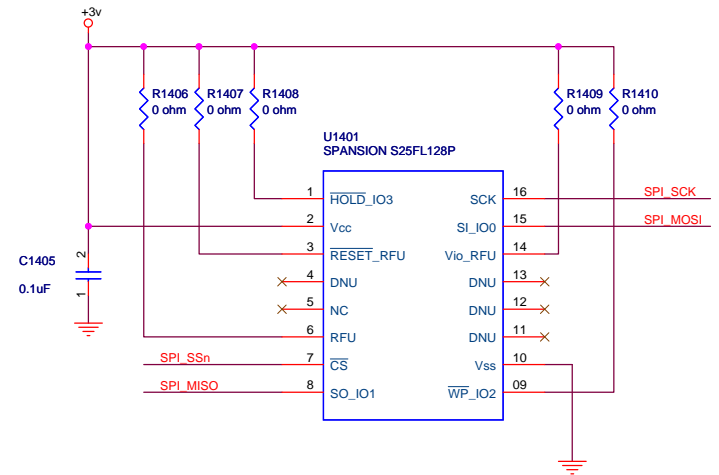
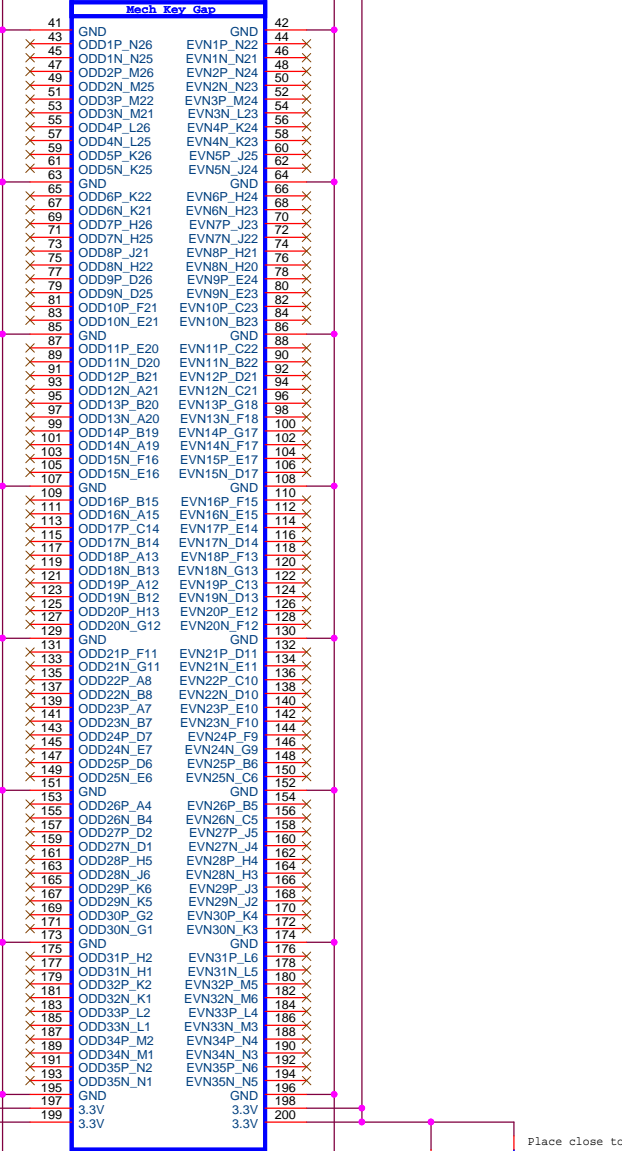


TI DSP McBSP1 PORT SET AS SPI MASTER

CKX ==> SCK
 DR ==> MISO
 DX ==> MOSI
 FSX ==> SS#



This should handle Single I/O, Multi I/O and Parallel Spansion S25/S70 series Flash in SOIC-16 pkg.

GND_PWR

Title		
32KD KEL_V2-16 Card - SODIMM200 Connector		
Size	Document Number	Rev
C	32KD_KEL_V2-16	A
Date:	Friday, December 09, 2011	Sheet 14 of 15