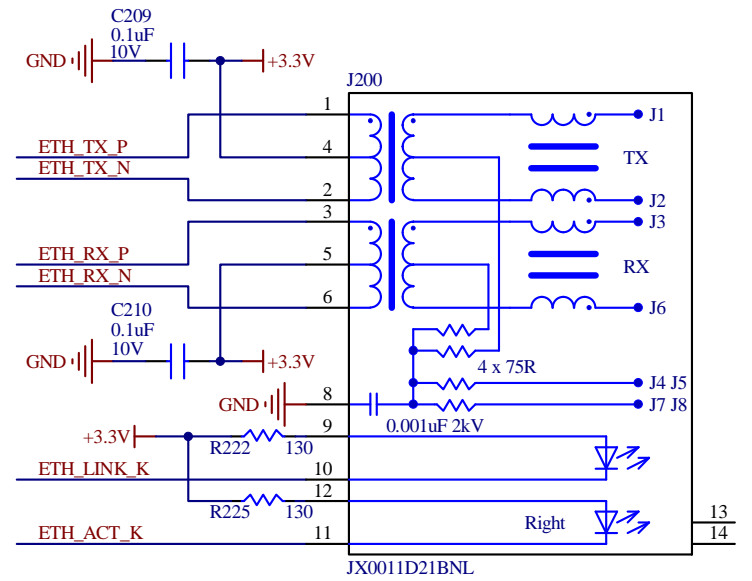


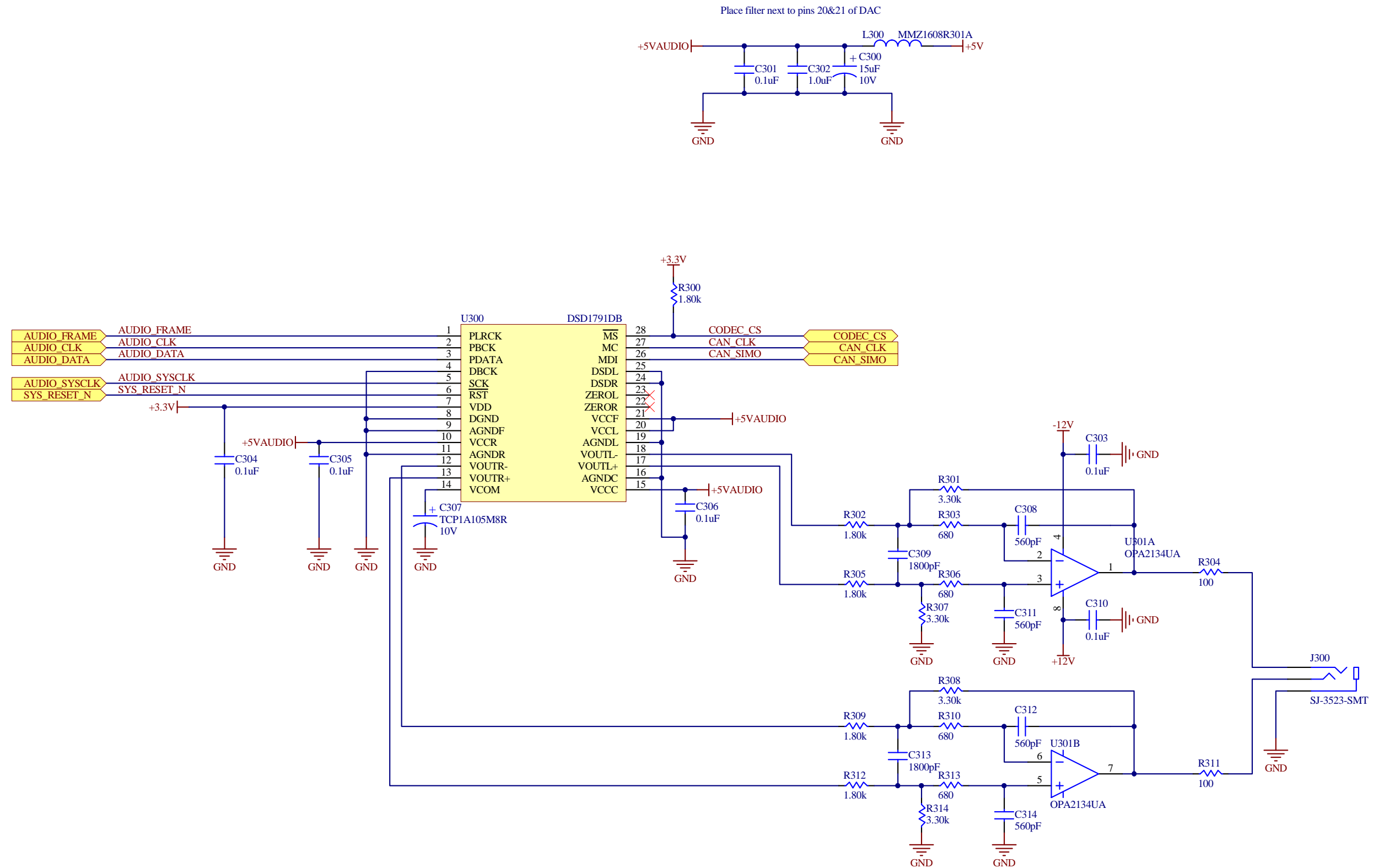
PHYAD[3:0] (R203-R206) = 0001

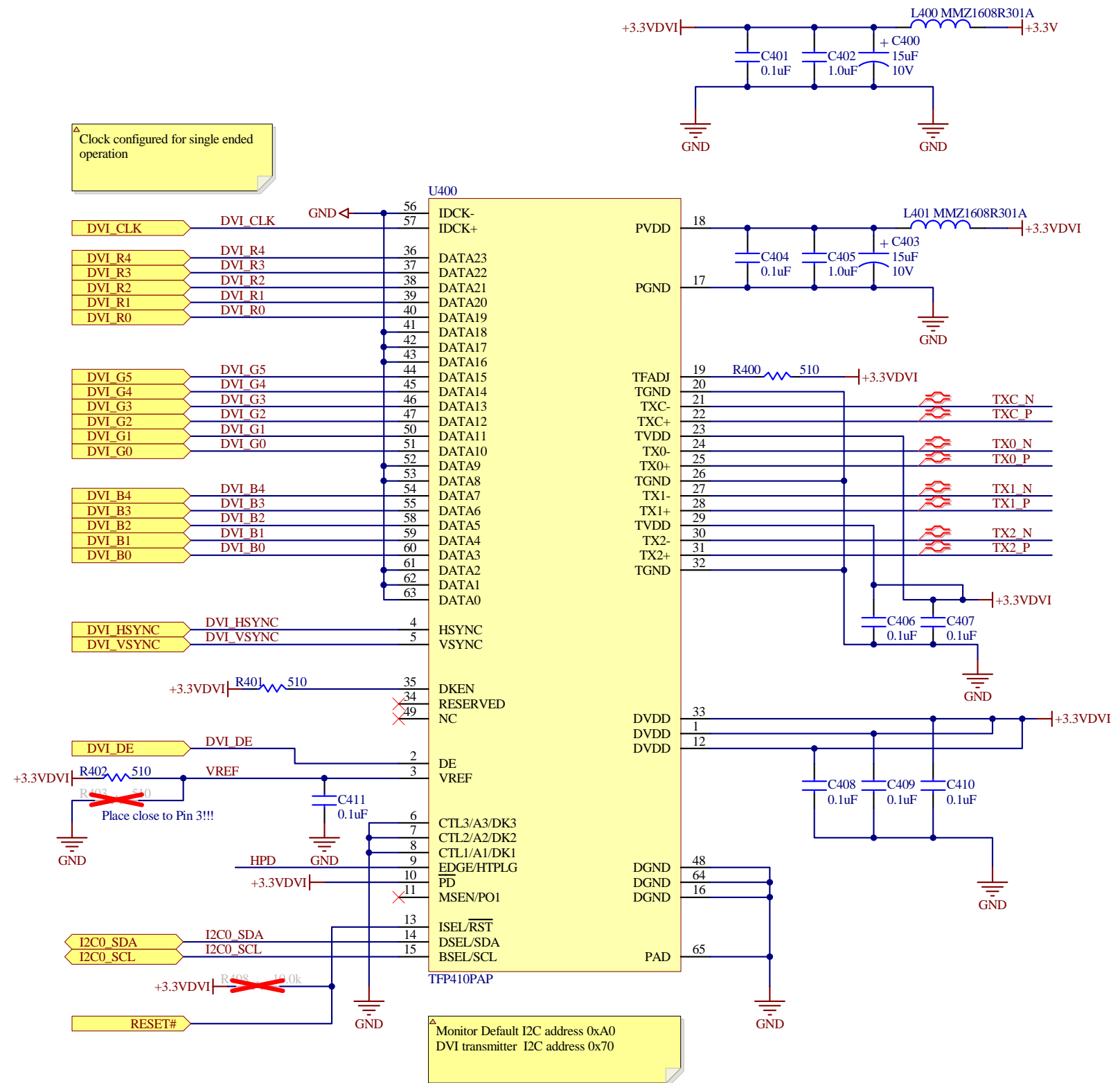
Place resistors and capacitors close to the device



Title: 10/100 Ethernet		Critical Link LLC 6712 Brooklawn Pkw Suite 203 Syracuse NY 13211 USA (315) 425 4045	
Size: B	Number: 90-000107-3R Variant: 80-000268RI-2	Rev: A	
Date: 1/19/2012	Time: 2:29:27 PM	Sheet 2 of 9	
SVN:2431	File: Ethernet.SchDoc		

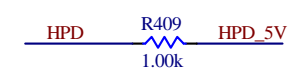
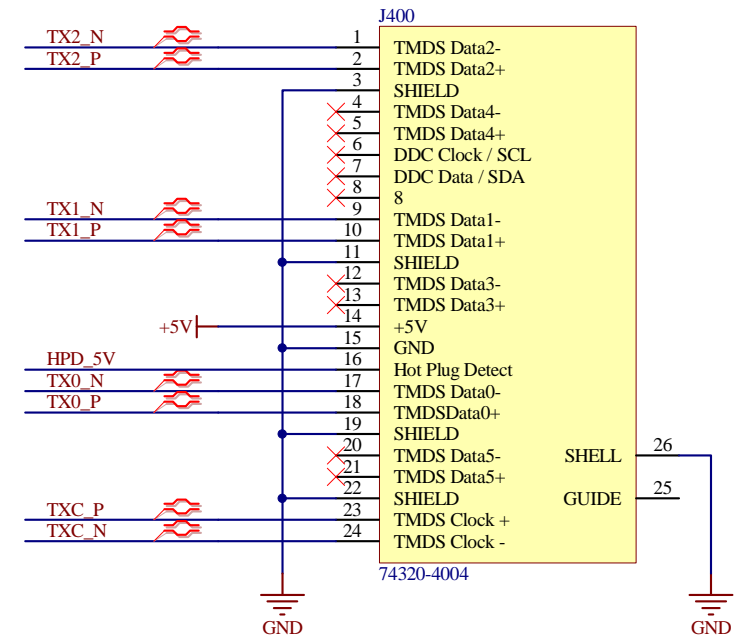


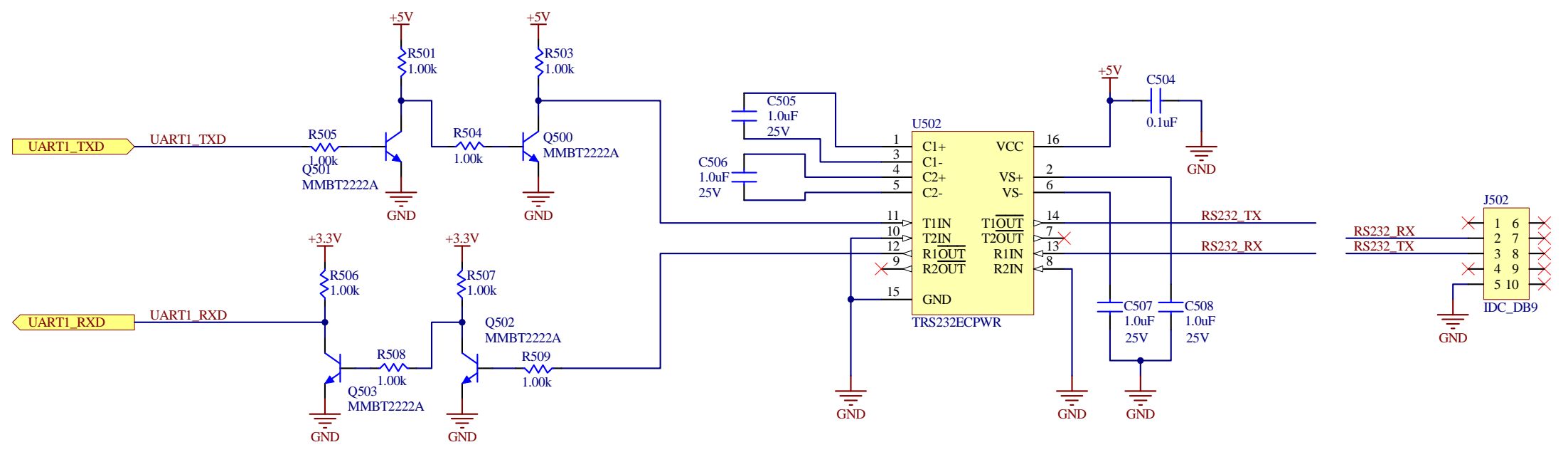
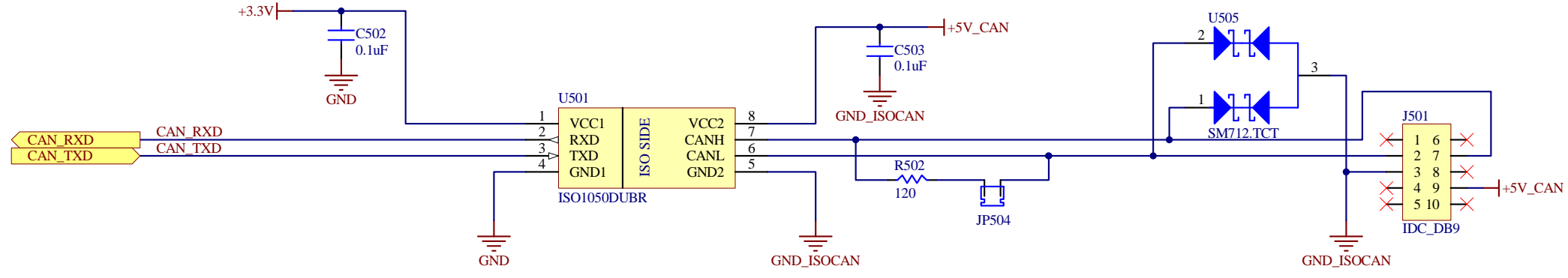
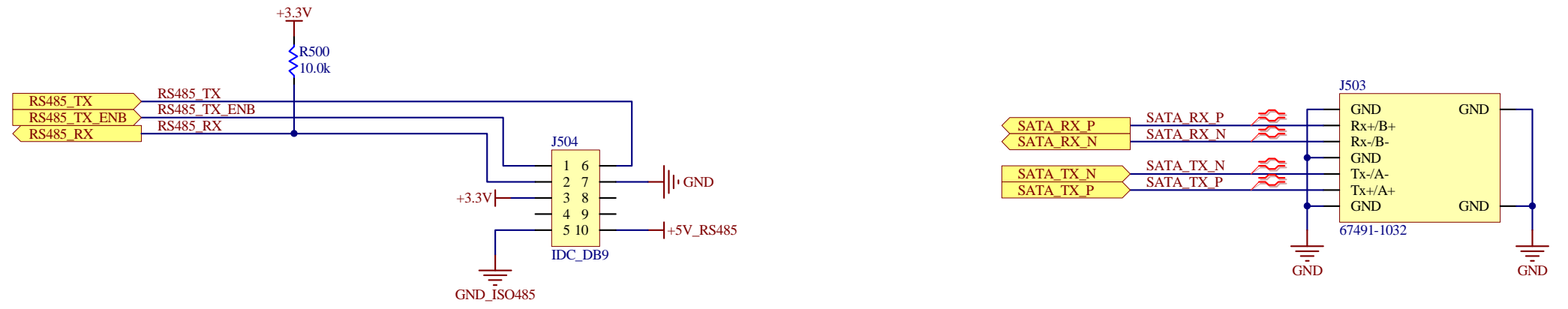


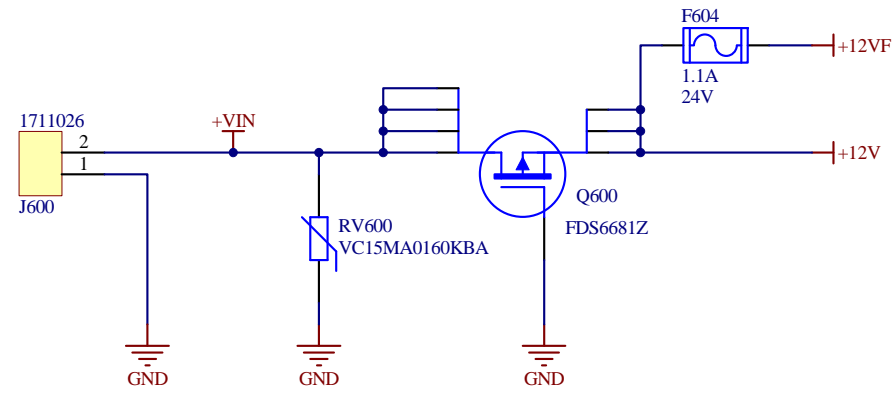


▲ Clock configured for single ended operation

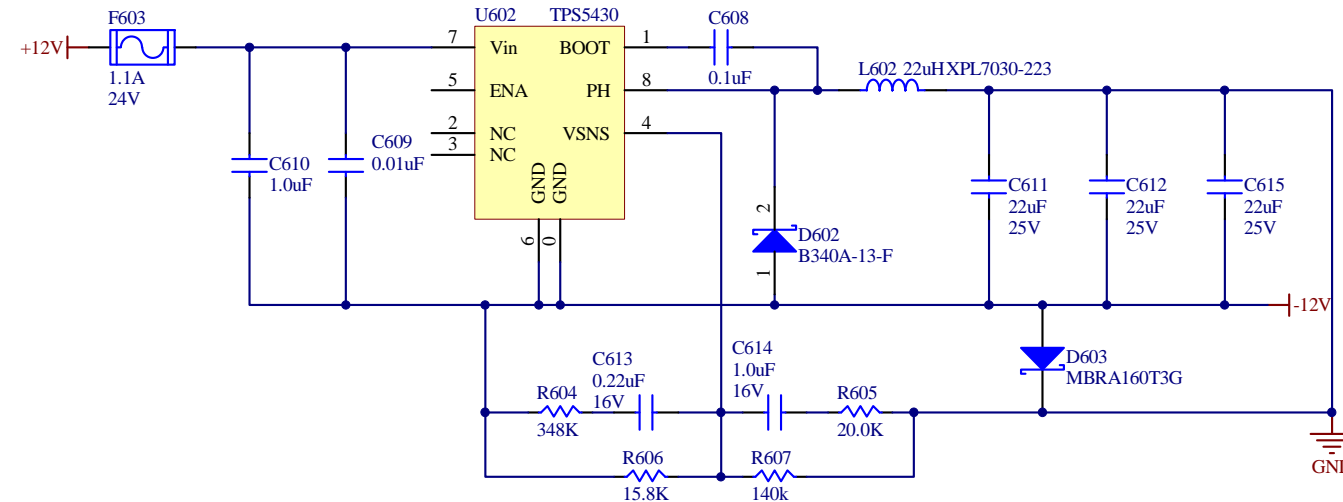
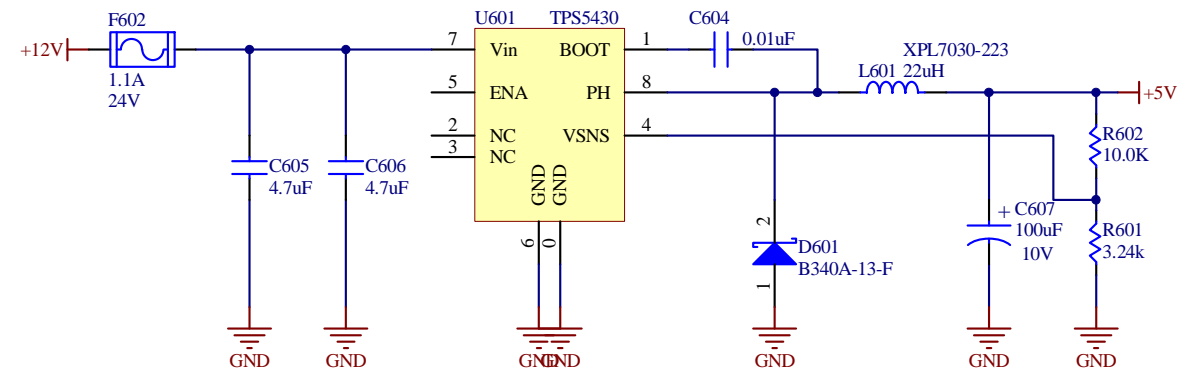
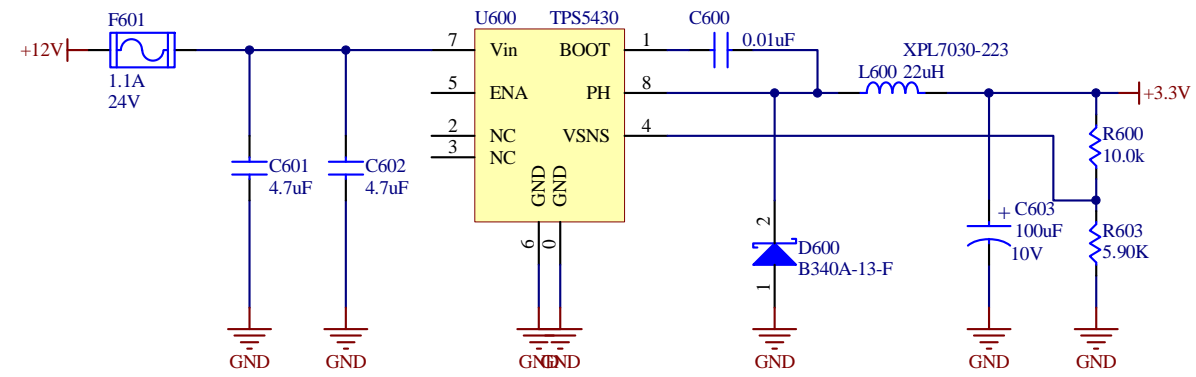
▲ Monitor Default I2C address 0xA0
DVI transmitter I2C address 0x70



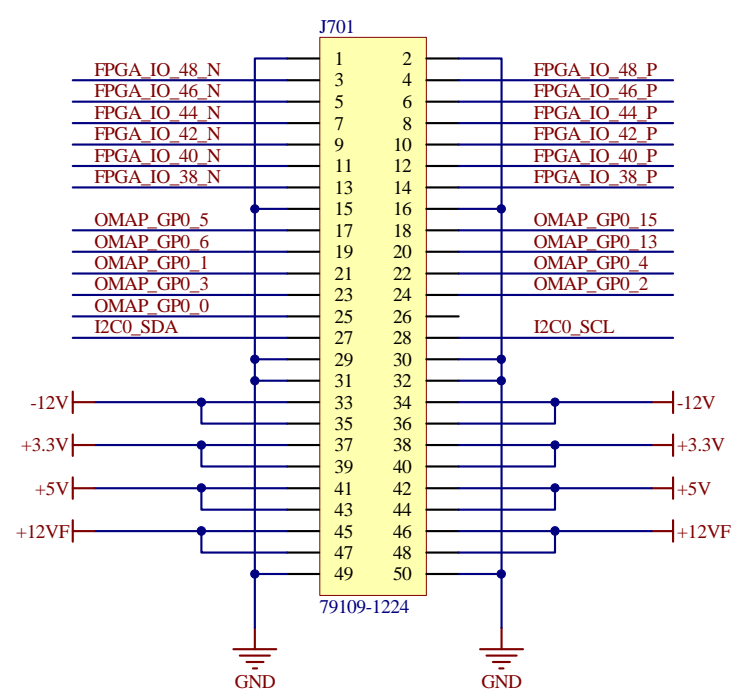
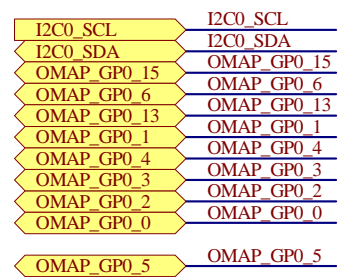
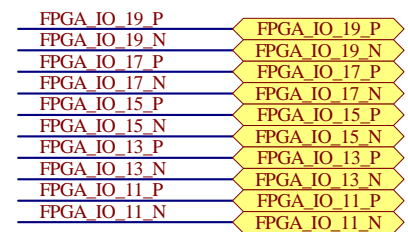
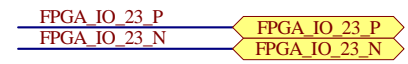
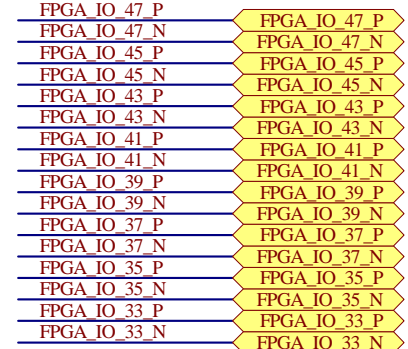
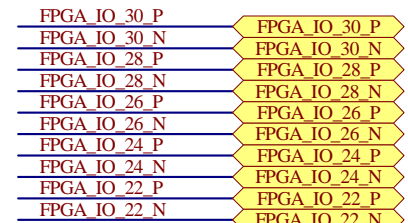
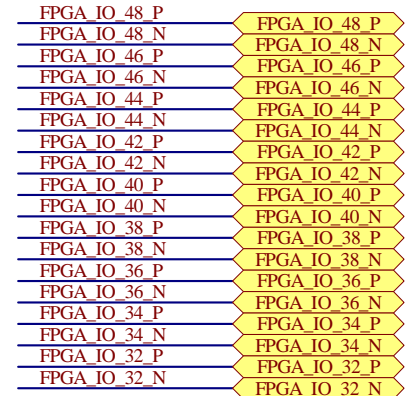
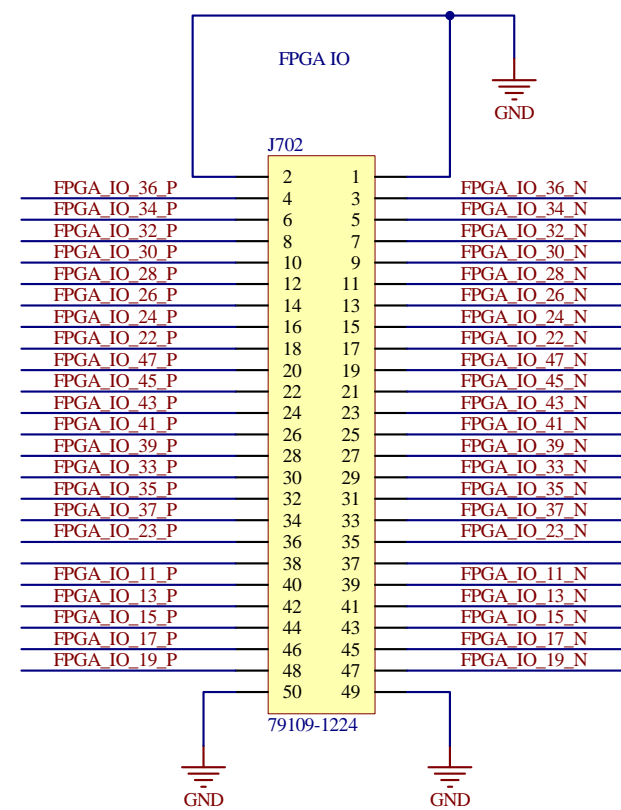
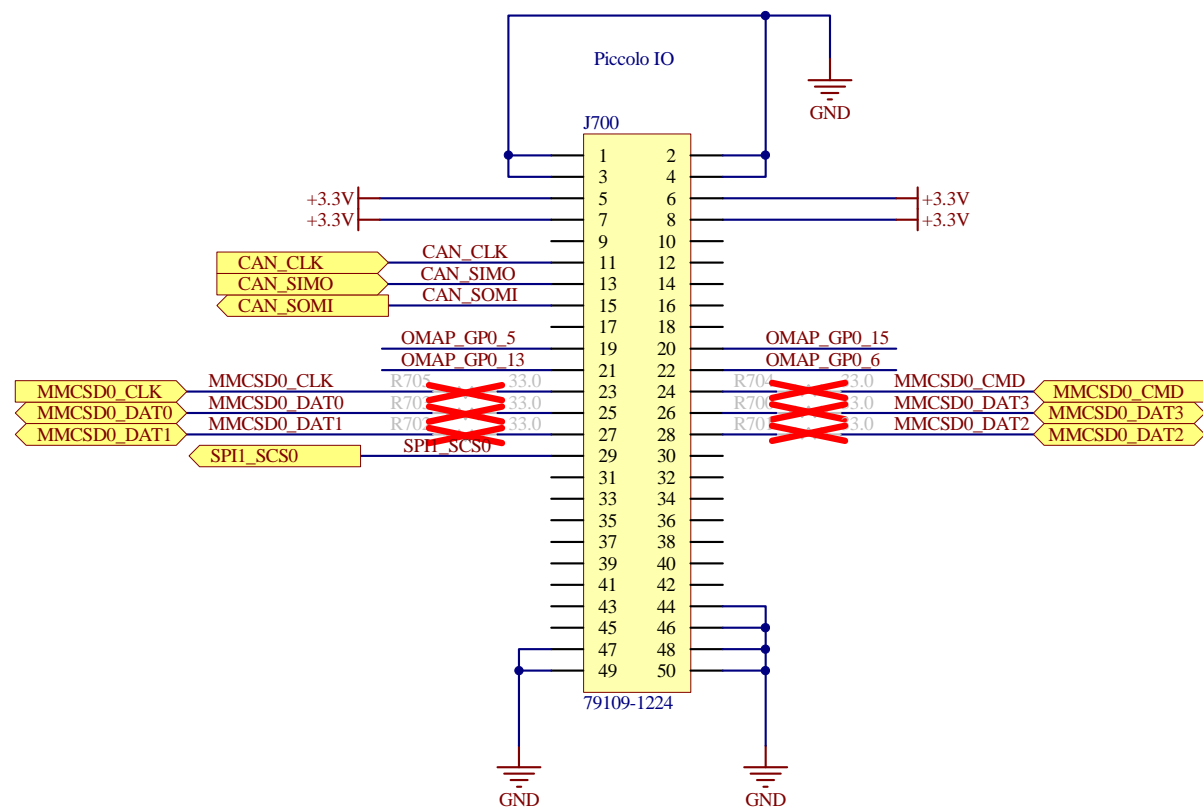


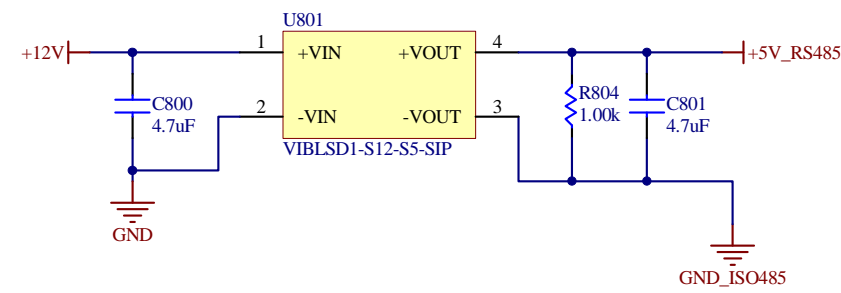
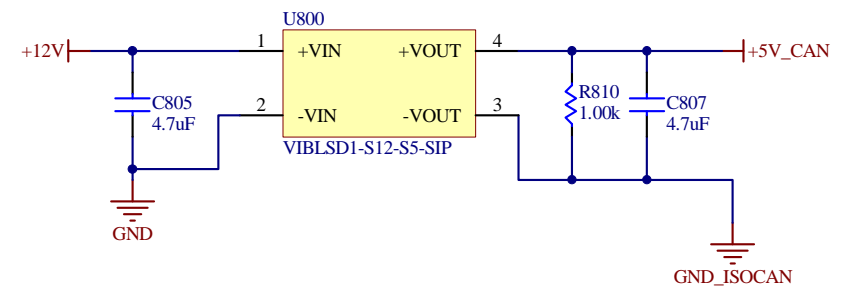


XPL7030-223 can be replaced with Vishy IHLP2525CZER220M11



FPGA IO





Title: Isolated Power Supply		Critical Link LLC 6712 Brooklawn Pkwy Suite 203 Syracuse NY 13211 USA (315) 425 4045	
Size: B	Number: 90-000107-3R Variant: 80-000268RI-2	Rev: A	
Date: 1/19/2012	Time: 2:29:28 PM	Sheet 8 of 9	
SVN:2431	File: IsoPower.SchDoc		



