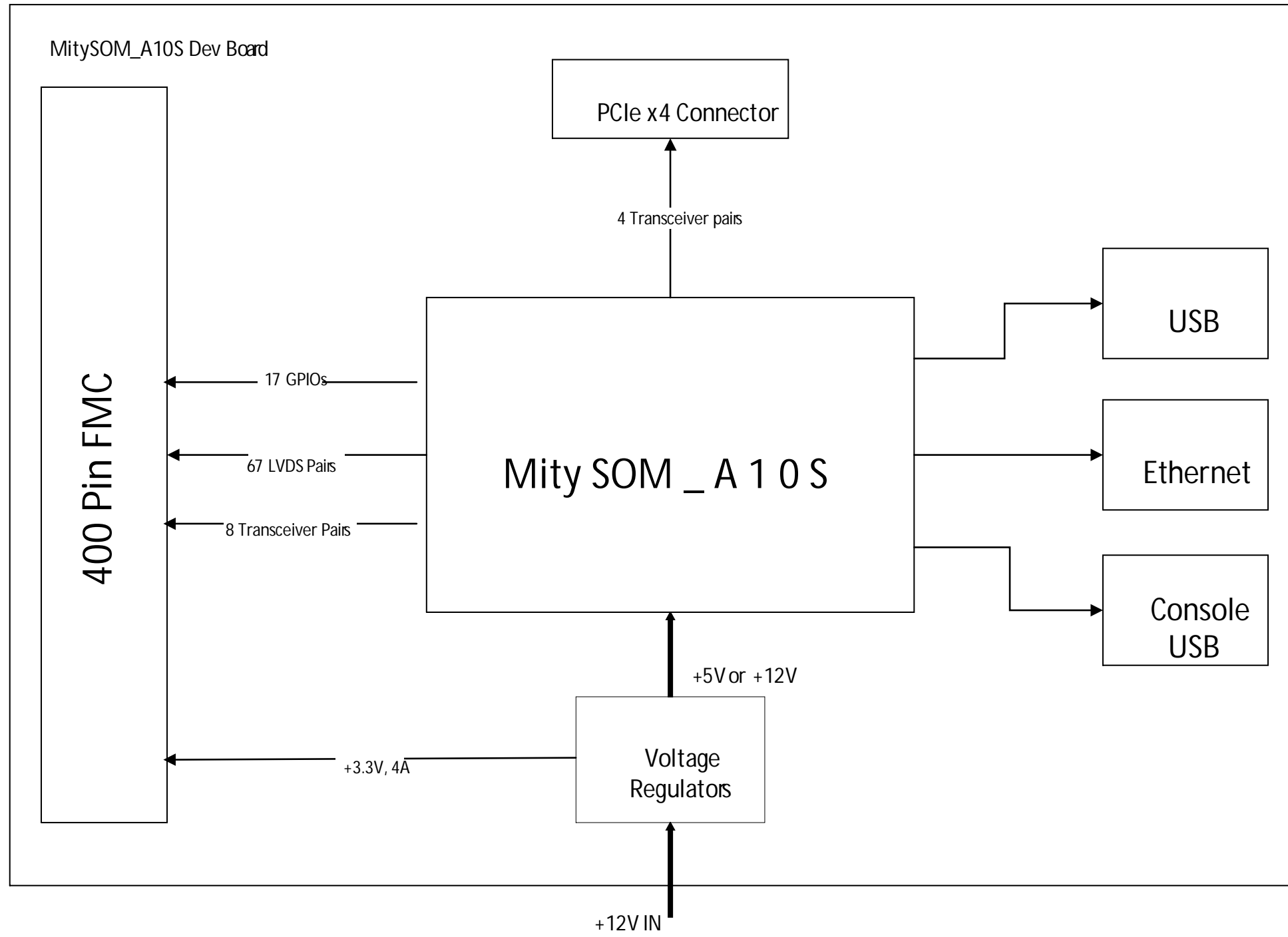


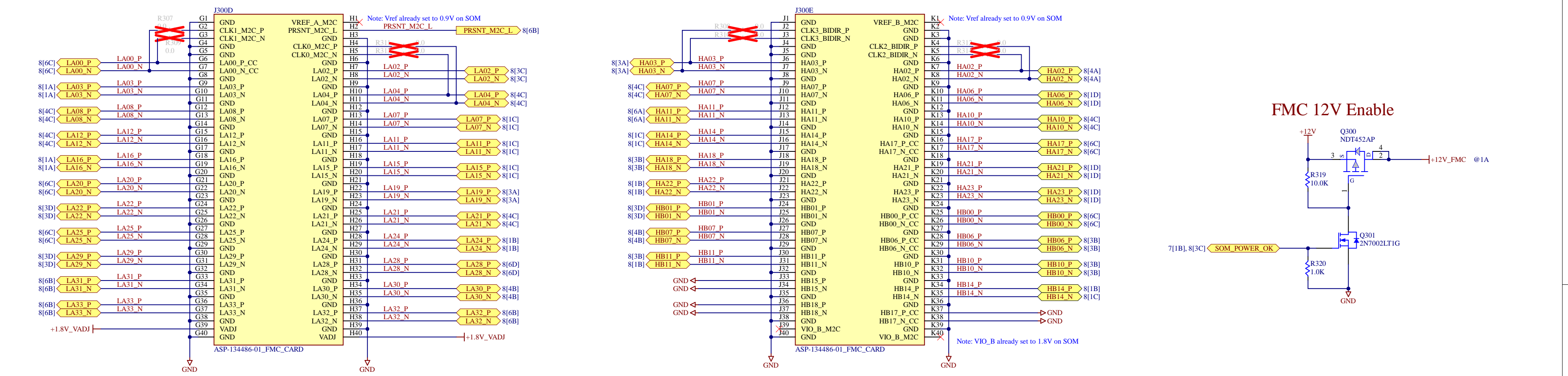
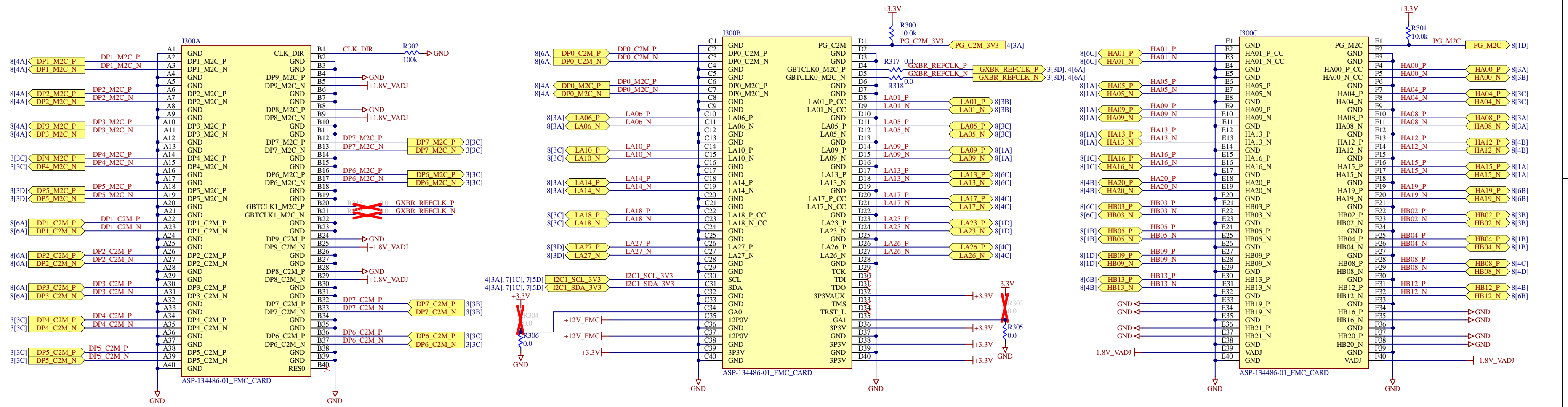
REV	DESCRIPTION	ECR No	INITIALS	DATE
-1A	Initial release	1718	OV	02/18/19
-2A	Mod kit	1817	OV	01/16/20
-3A	Initial release debug	1932	OV	2/10/2020



LBL100
PCA LABEL
80-001218RI-3_RevA

PN-PCB100
PCB # 90-000392R-2_RevA
90-000392R-2

FMC Connector



A

B

C

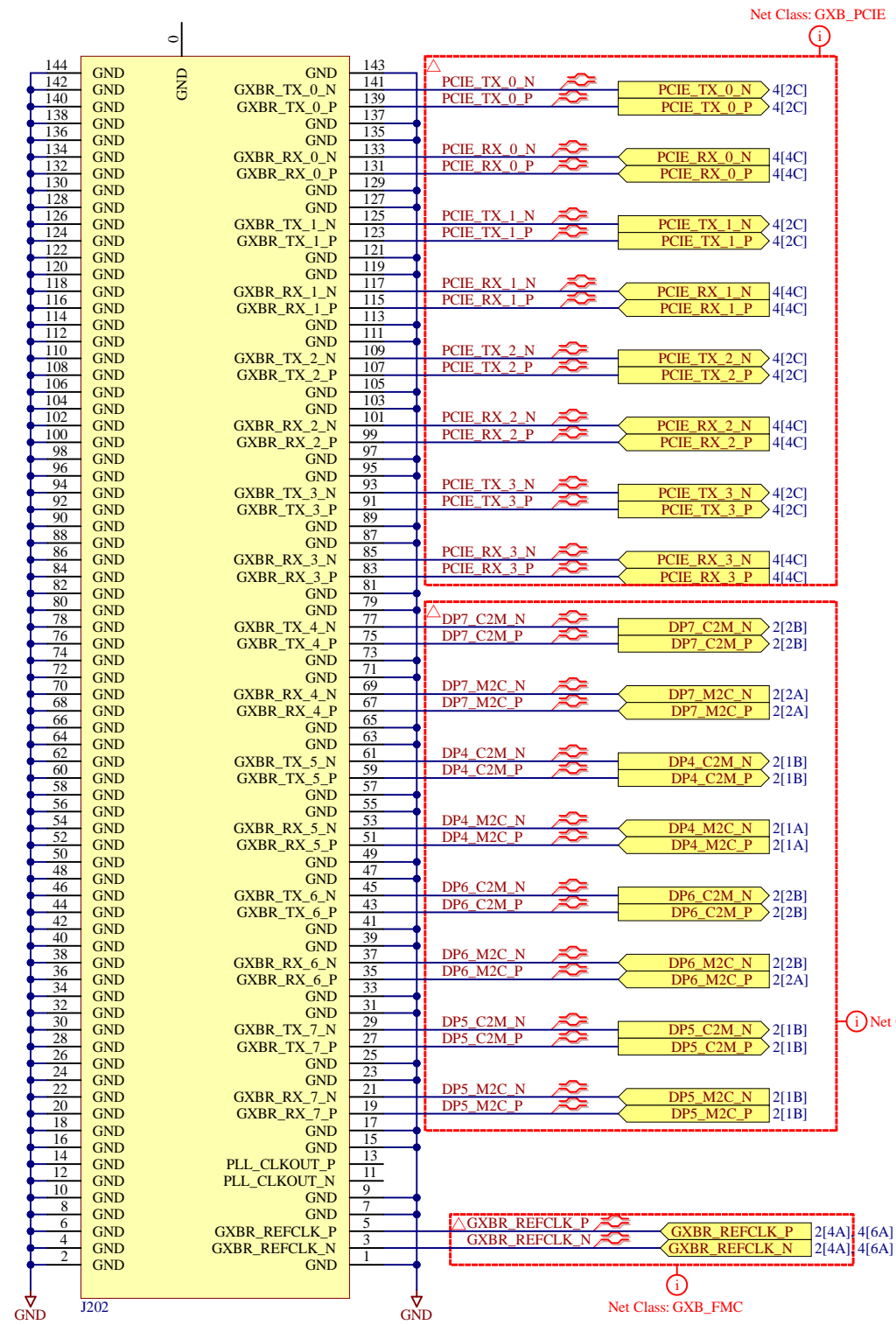
D

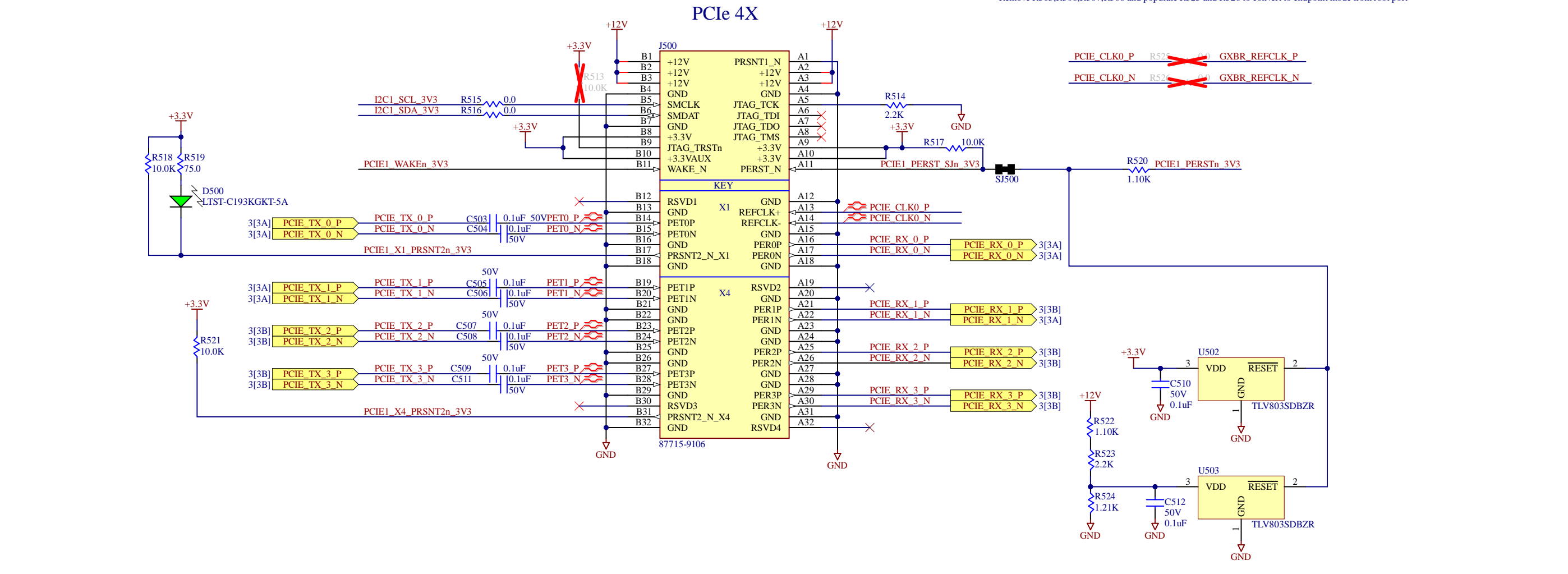
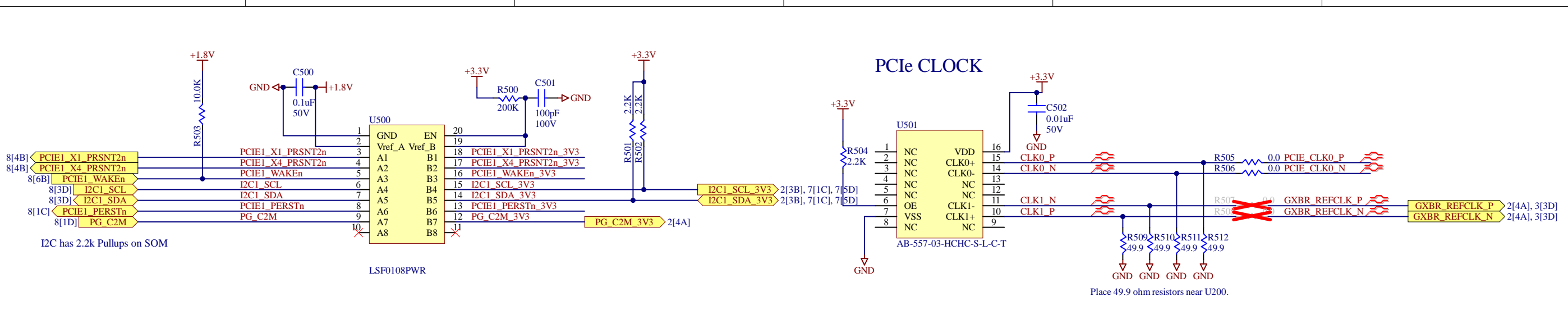
A

B

C

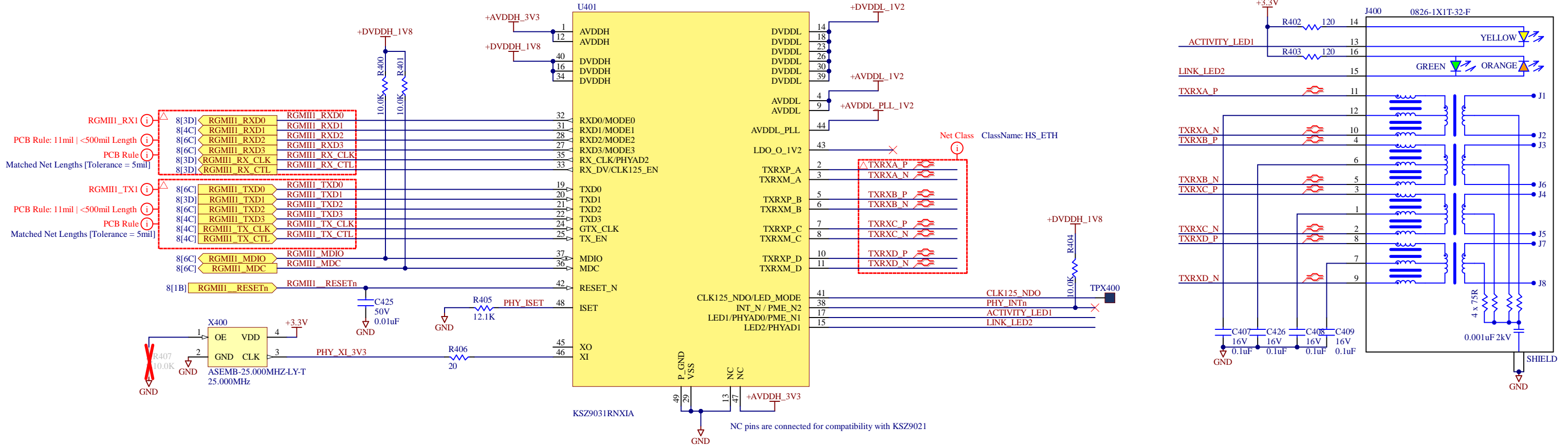
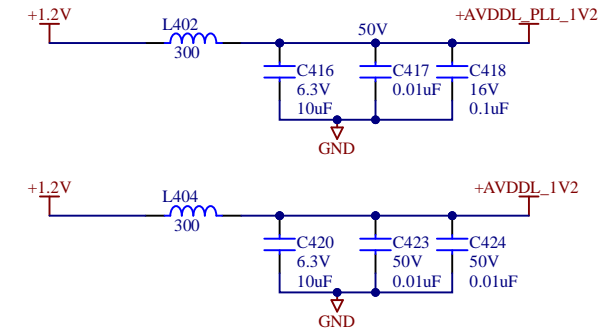
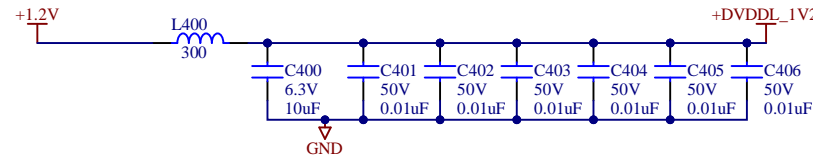
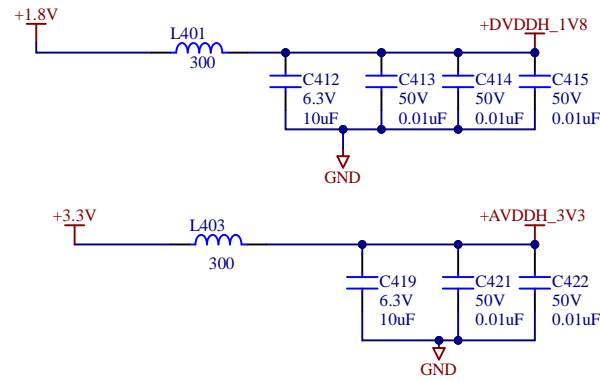
D





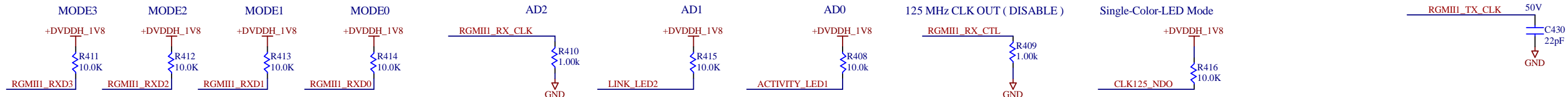
Ethernet

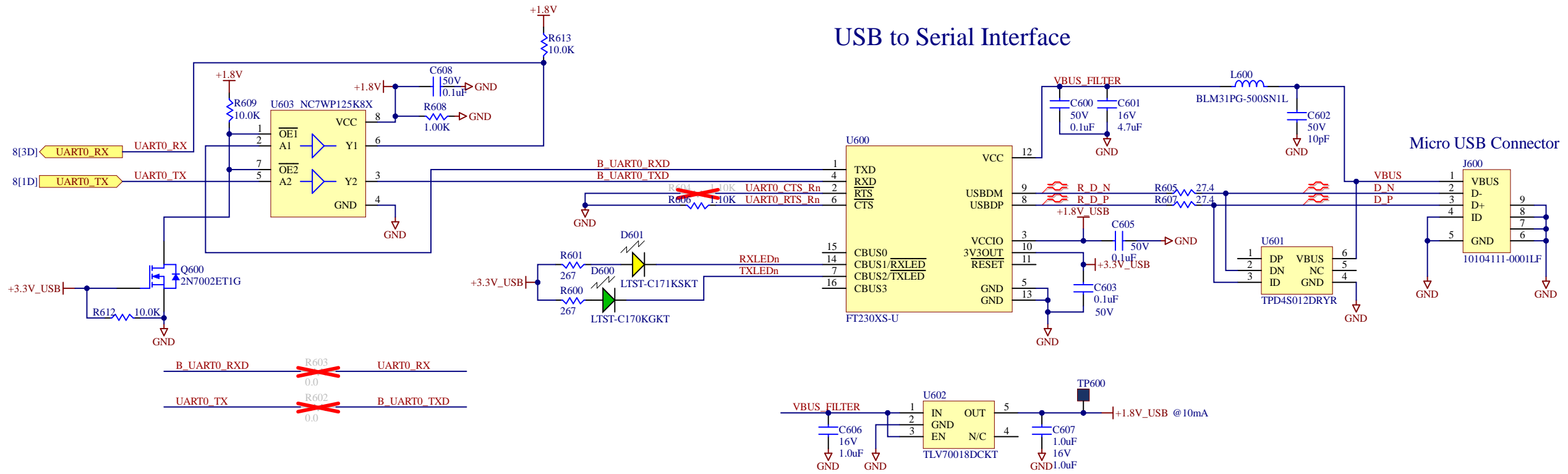
	1.2V Core (DVDDL, AVDDL, AVDDL_PLL)	2.5V Transceiver (AVDDH - commercial temp only)	3.3V Transceiver (AVDDH)	1.8V Digital I/Os (DVDDH)	Total Chip Power
	mA	mA	mA	mA	mW
1000Base-T link-up (no traffic)	210	58.8	67.8	11.2	419 / 494
1000Base-T full-duplex @ 100% utilization	221	57.9	66.3	23.6	452 / 526
100Base-TX link-up (no traffic)	63.6	24.9	28.7	8.4	154 / 186
100Base-TX full-duplex @ 100% utilization	63.8	24.9	28.6	9.8	156 / 189



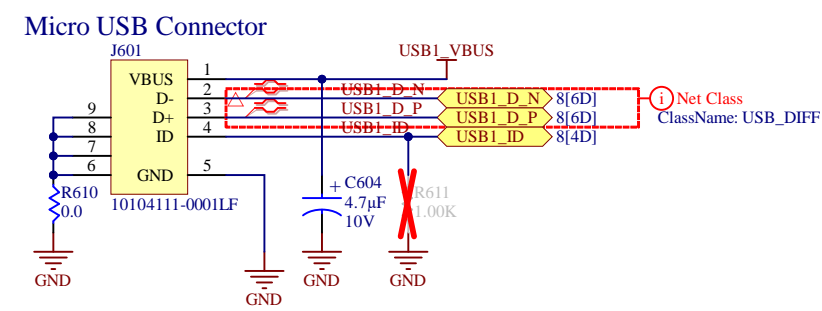
PHY Mode (Default: 1111): Advertise all capabilities

PHY Address (00XXX, Default: 00011)





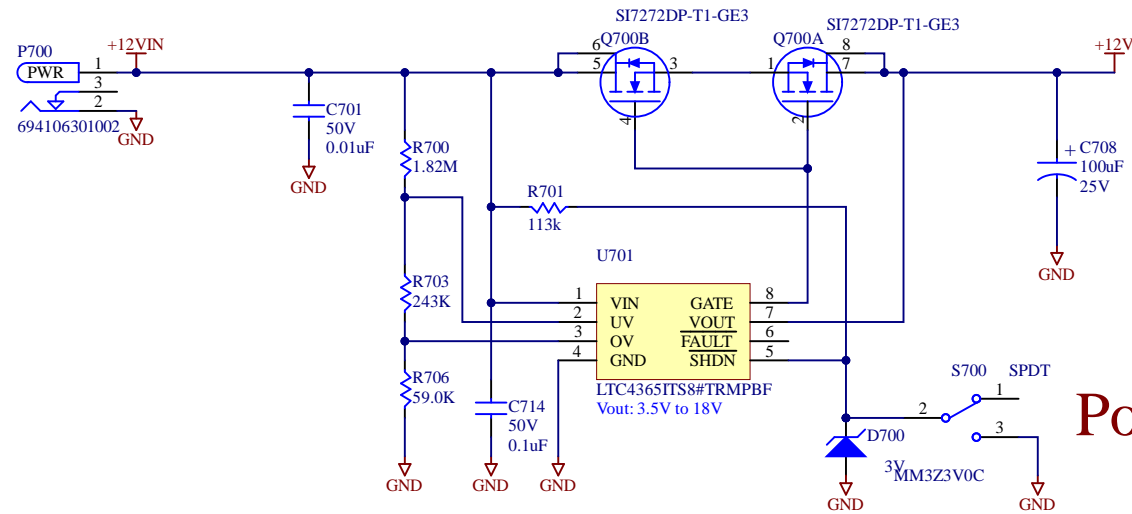
USB OTG from SOM



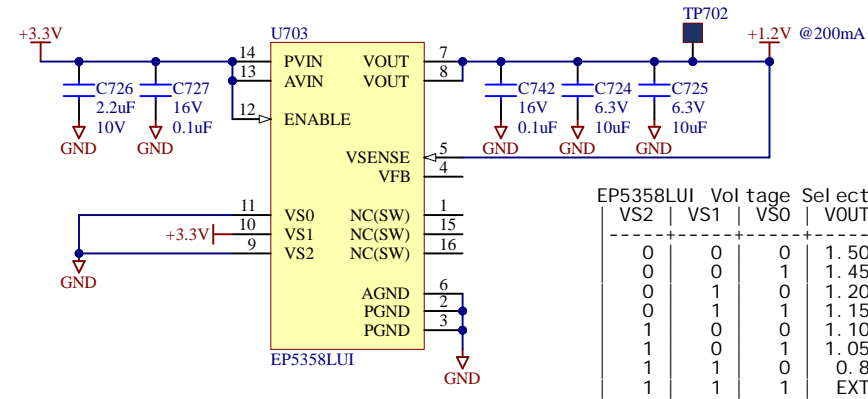
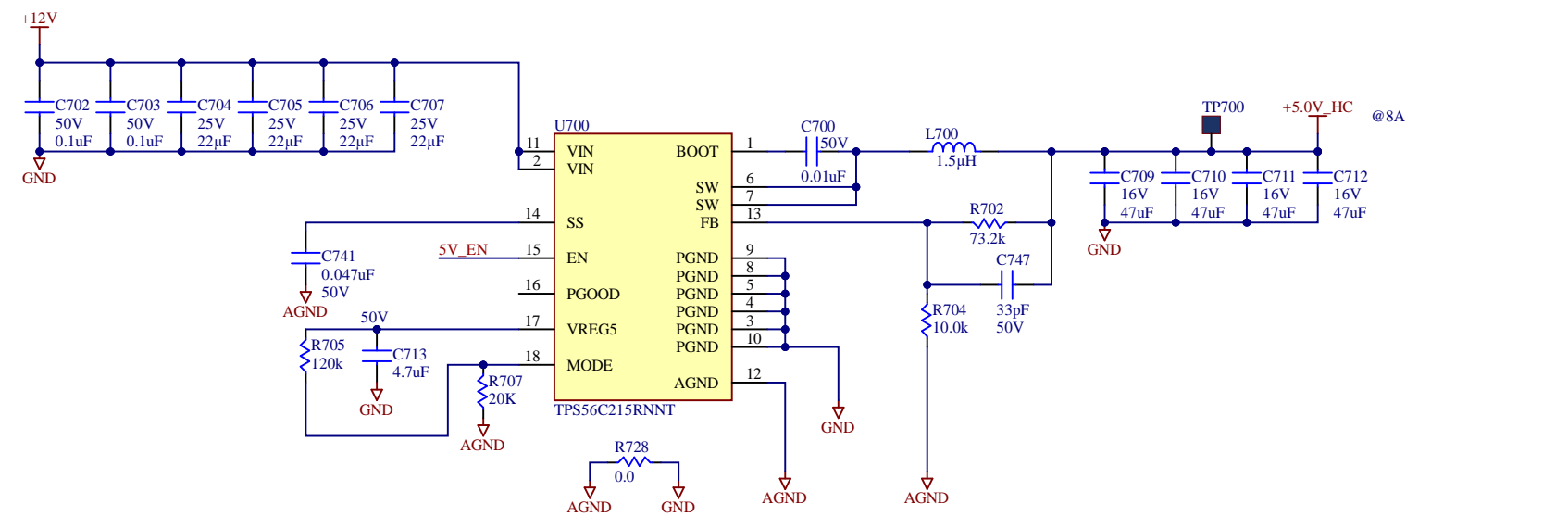
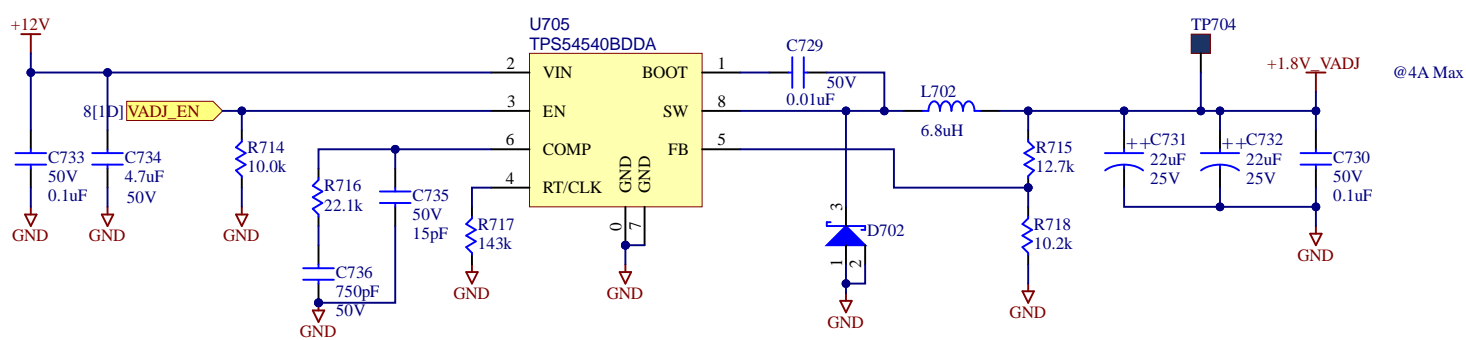
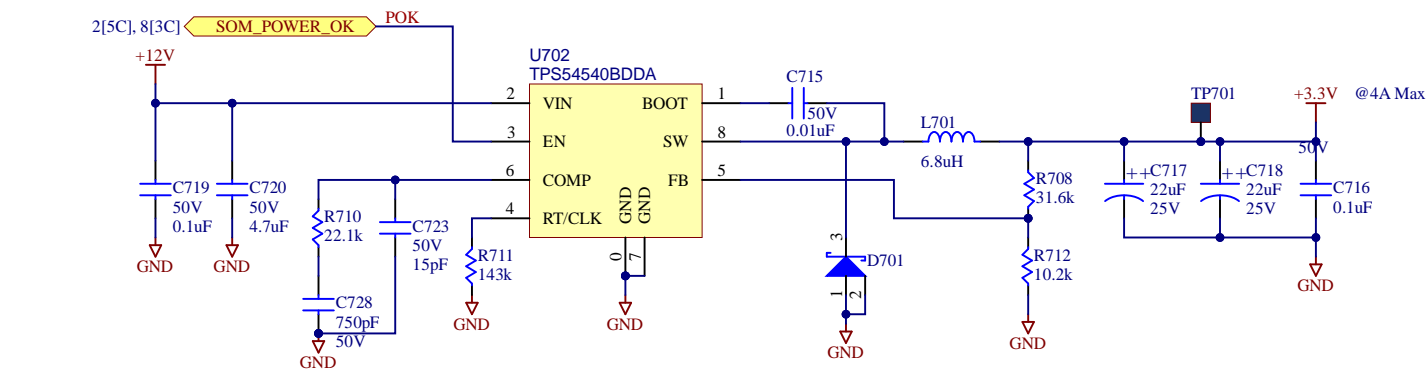
Note: Overcurrent protection provided on SOM

Power Supplies

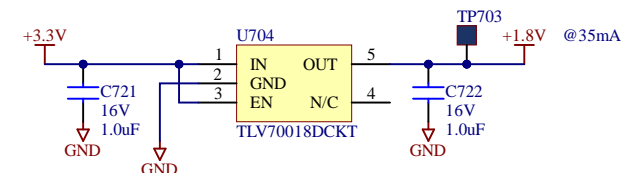
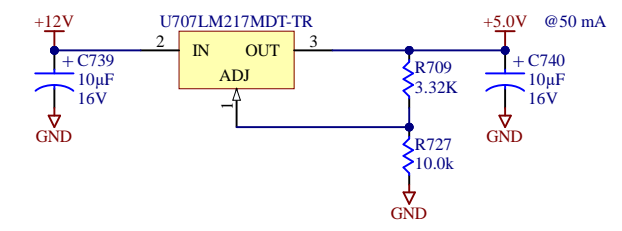
Power IN



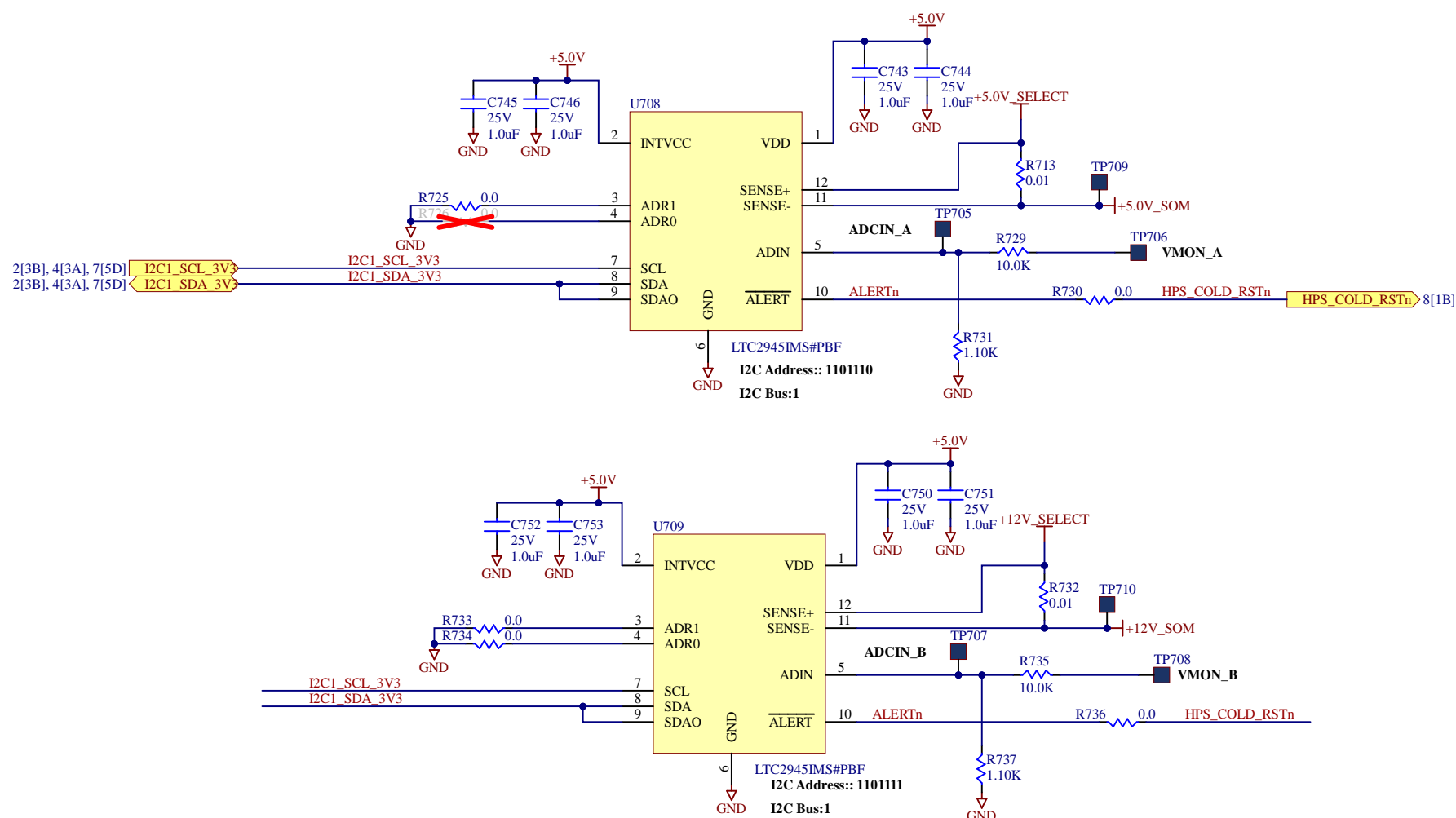
Power Switch



EP5358LUI	Vol tage	Select
VS2	VS1	V0
0	0	1.50
0	0	1.45
0	1	1.20
0	1	1.15
1	0	1.10
1	0	1.05
1	1	0.8
1	1	EXT



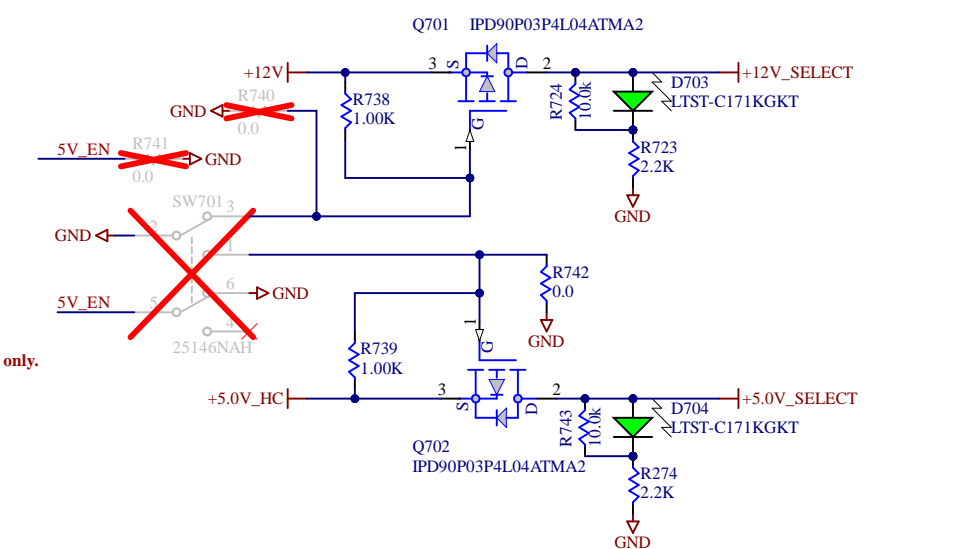
Power Monitors



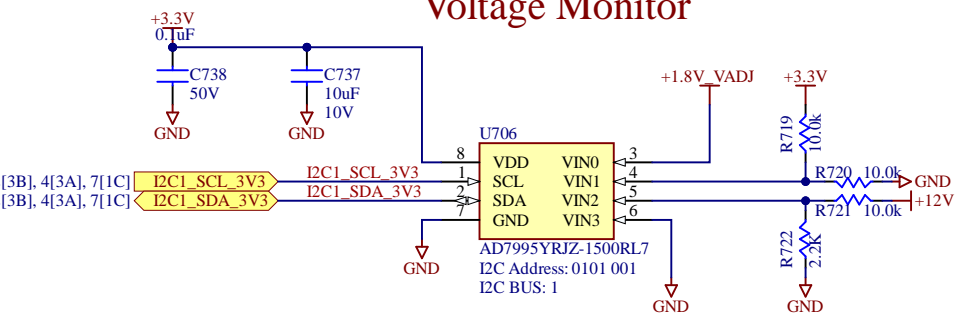
FMC 12V Enable

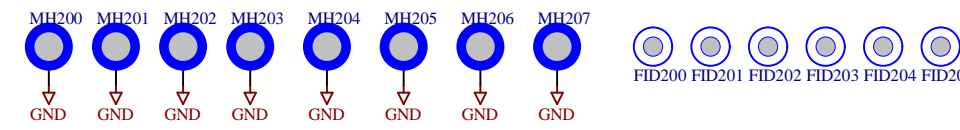
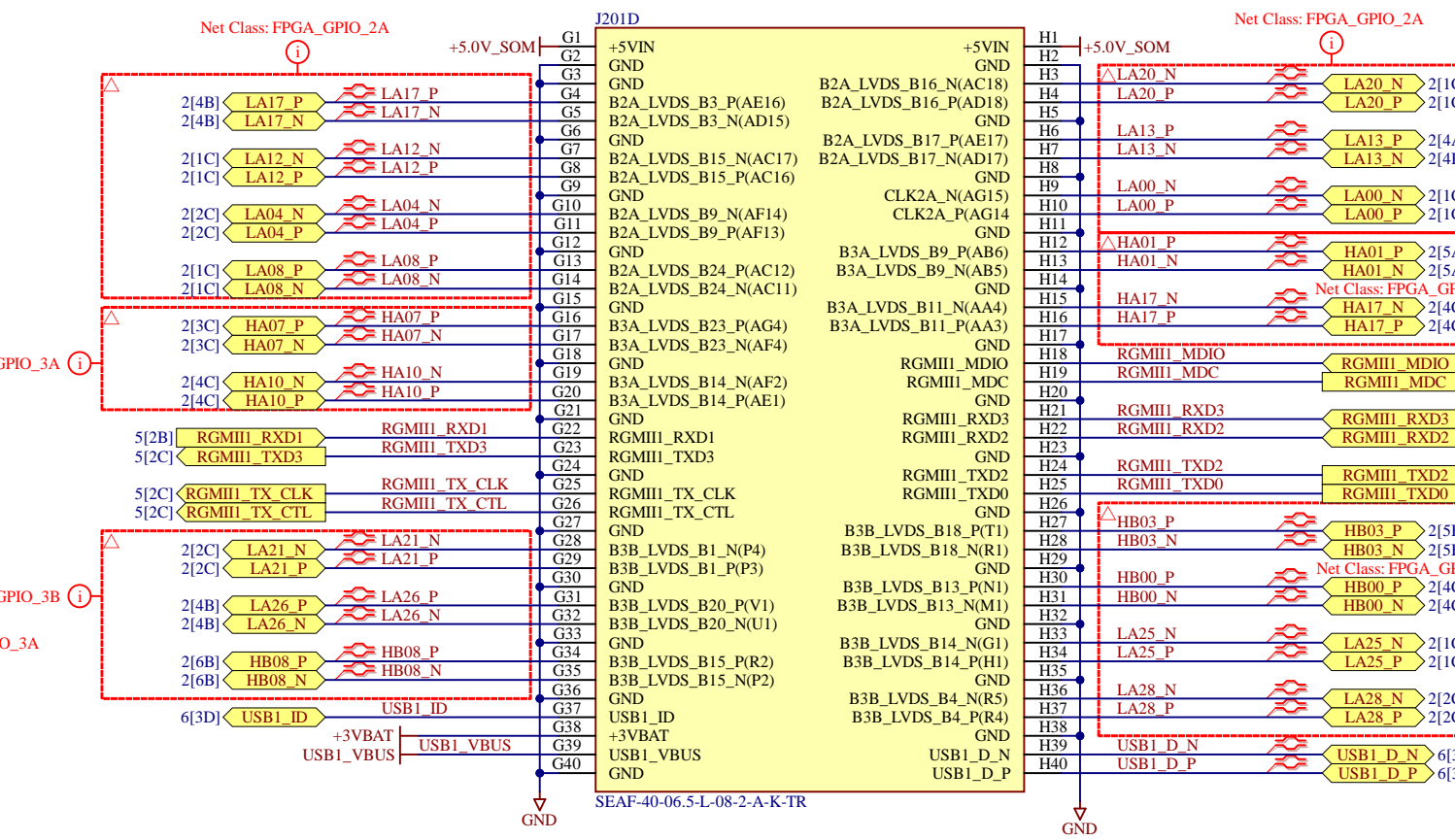
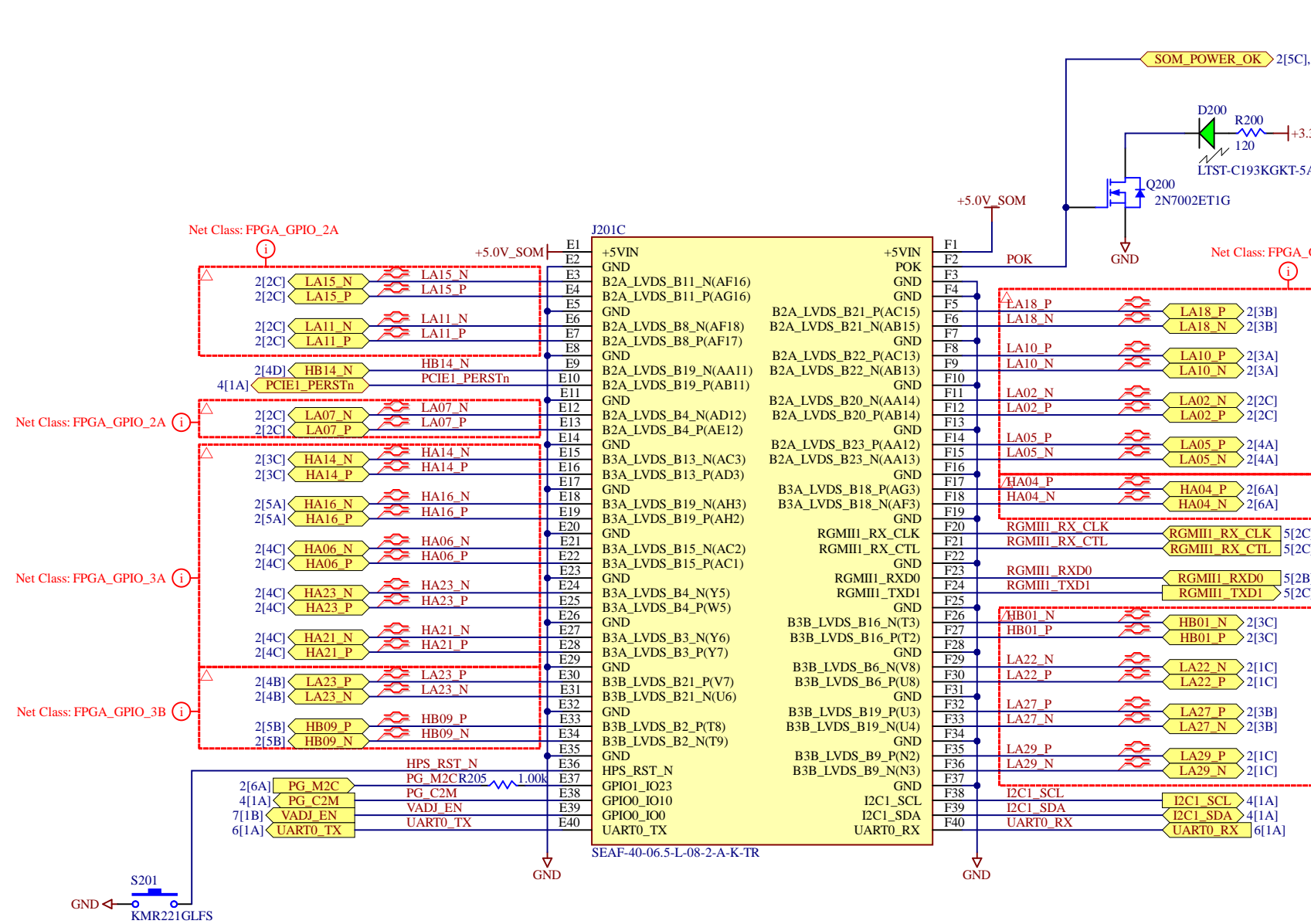
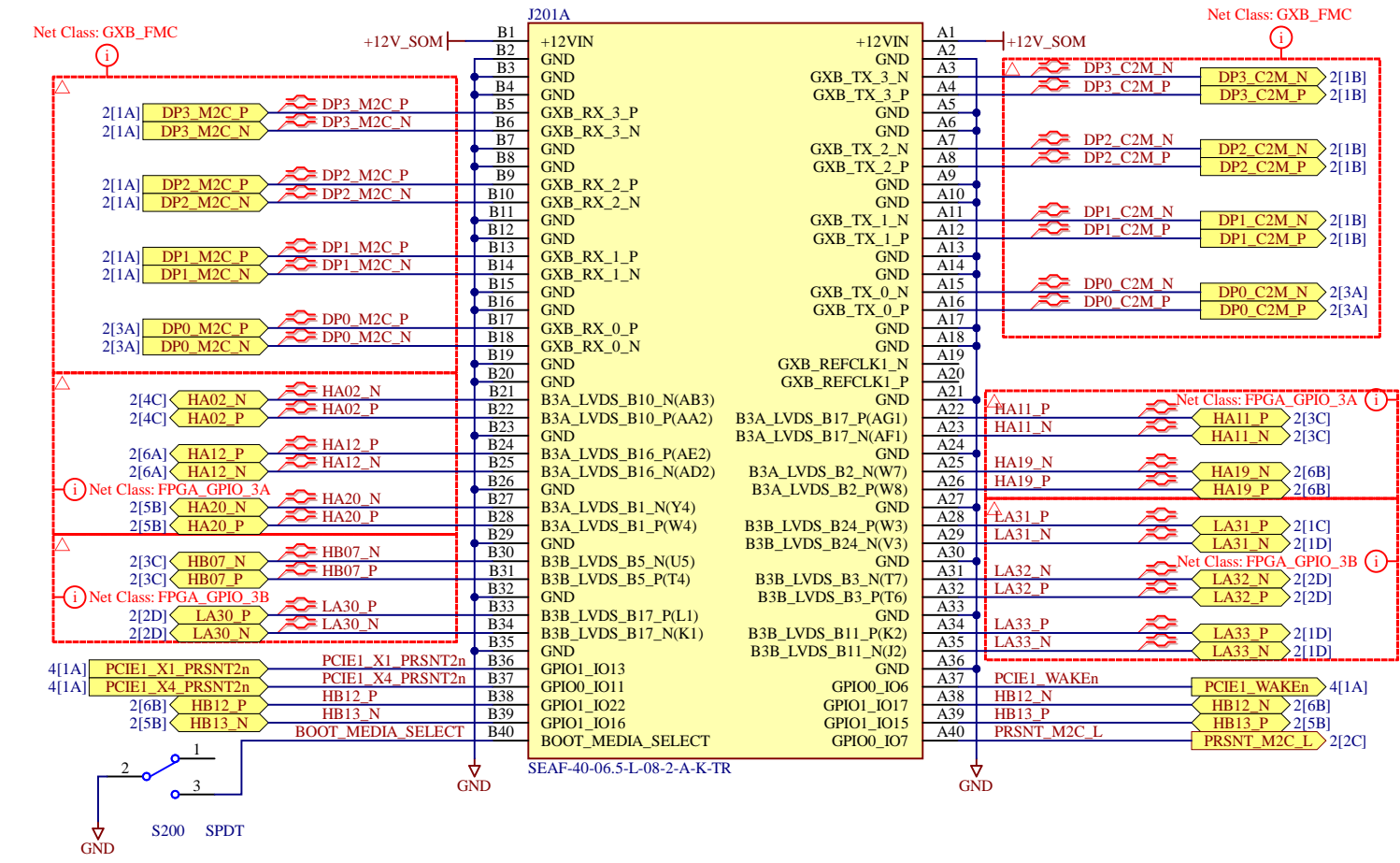
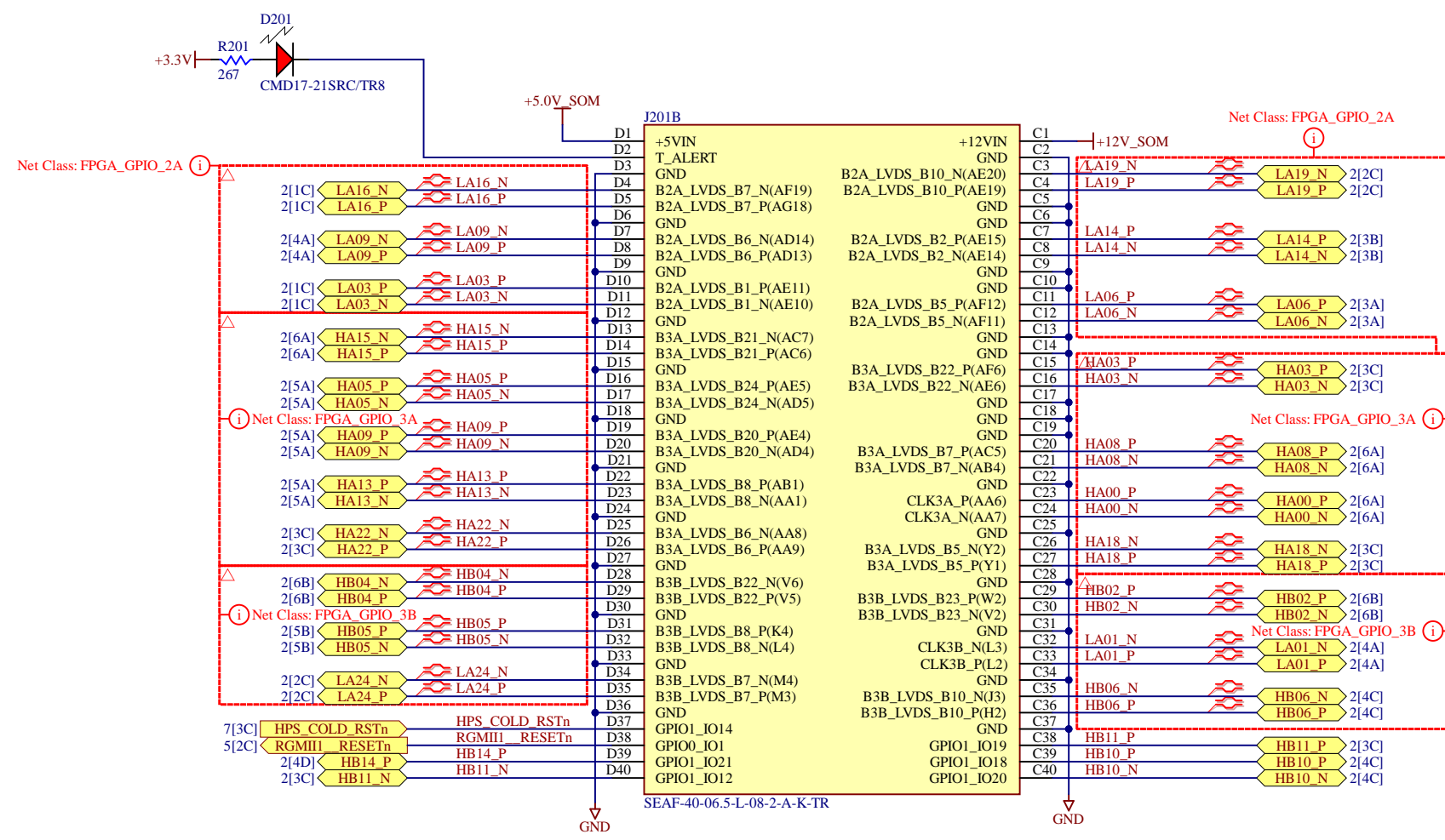
	R740	R741	R742	SW701
5V	NOP	NOP	POP	NOP
12V	POP	POP	NOP	NOP

Note: SW701 will POP for debug/test purpose only.



Voltage Monitor





Title: MitySOM A10S Main Connector		Critical Link, LLC 6712 Brooklawn Parkway Syracuse, NY 13211 315.5425.4045	
Size: C	Number: 80-001218R1-3	Revision: A	
Date: 2/14/2020	Time: 11:41:21 AM	Sheet 8 of 8	www.criticallink.com
SVN: 5362	File: Processor.SchDoc		